

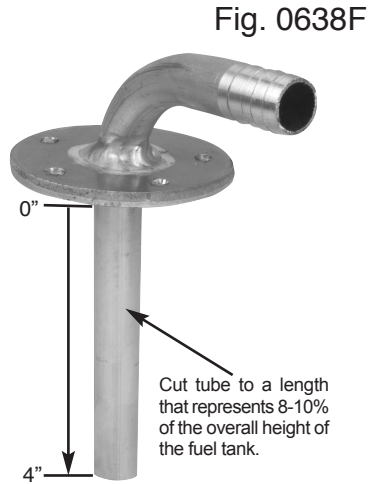
**Installation Instructions for  
Fig. 0638F SAE Flanged Stanchion Tube**

**INSTALLATION INSTRUCTIONS**

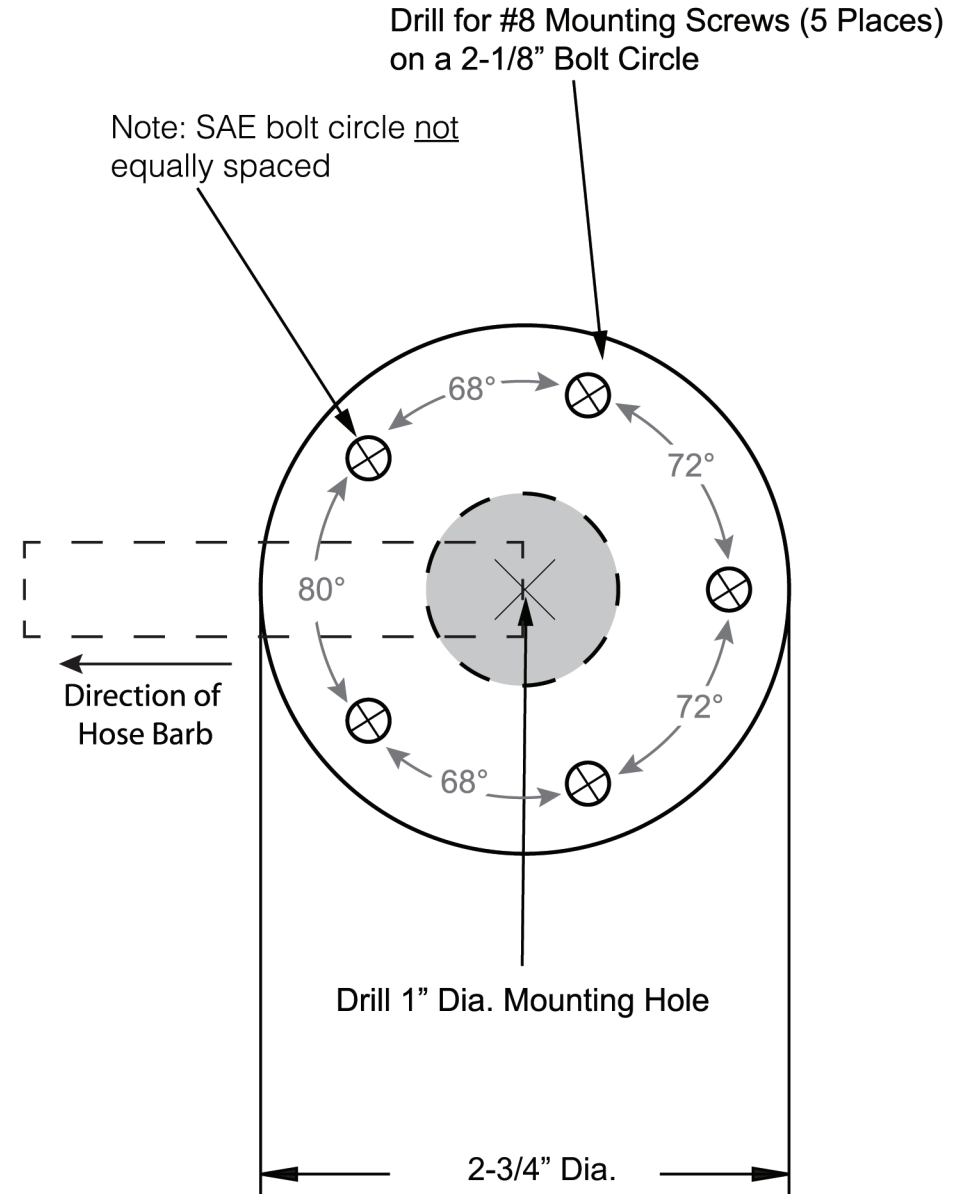
**PLEASE READ ALL INSTRUCTIONS BEFORE PROCEEDING**

This stanchion tube is designed to mount on aluminum or plastic tank surfaces.

1. For typical ullage: before installing the stanchion tube, the tube should be cut to a length that represents 8-10% of the overall height of the fuel tank.
2. Select your mounting location. Cut out mounting template.
3. Attach the template to the mounting surface. Orient hose barb on the stanchion tube in the direction of the vent line
4. Drill 1" diameter hole for the stanchion tube.
5. For metal tanks: mark and drill mounting screw holes for #8 machine or self tapping screws. Place the gasket onto the mounting surface.  
For plastic tanks: the #8 mounting screw nuts must be molded into the tank surface.
6. Attach 5/8" vent hose onto hose barb and tighten using a hose clamp in accordance with ABYC Fuel System Vent Hose Clamping Standards (H24 Table 3).
7. Pressure test for leaks.



**Mounting Template for  
Fig. 0638F SAE Flanged Stanchion Tube**



**Installation Instructions for  
Fig. 0638T NPTF Dry Seal Threaded Stanchion Tube  
for use on Plastic or Metal Tanks**

**INSTALLATION INSTRUCTIONS**

**PLEASE READ ALL INSTRUCTIONS BEFORE PROCEEDING**

This stanchion tube is designed to mount into 3/4" NPTF dry seal aluminum threaded receivers welded or installed onto plastic or metal tanks (receiver not supplied).

1. For typical ullage: before installing the stanchion tube, the tube should be cut to a length that represents 8-10% of the overall height of the fuel tank.
2. For plastic tanks a 3/4" NPTF receiver must be molded into the tank surface.  
For metal tanks a 3/4" NPTF receiver must be welded into the tank surface.
3. Thread the stanchion tube into receiver and orient hose barb in the direction of the vent line. Do not use the hose barb as a lever to the stanchion tube.
4. Attach 5/8" vent hose onto hose barb and tighten using hose clamps in accordance with ABYC Fuel System Vent Hose Clamping Standards (H24 Table 3).
5. Pressure test for leaks.

